

35053101

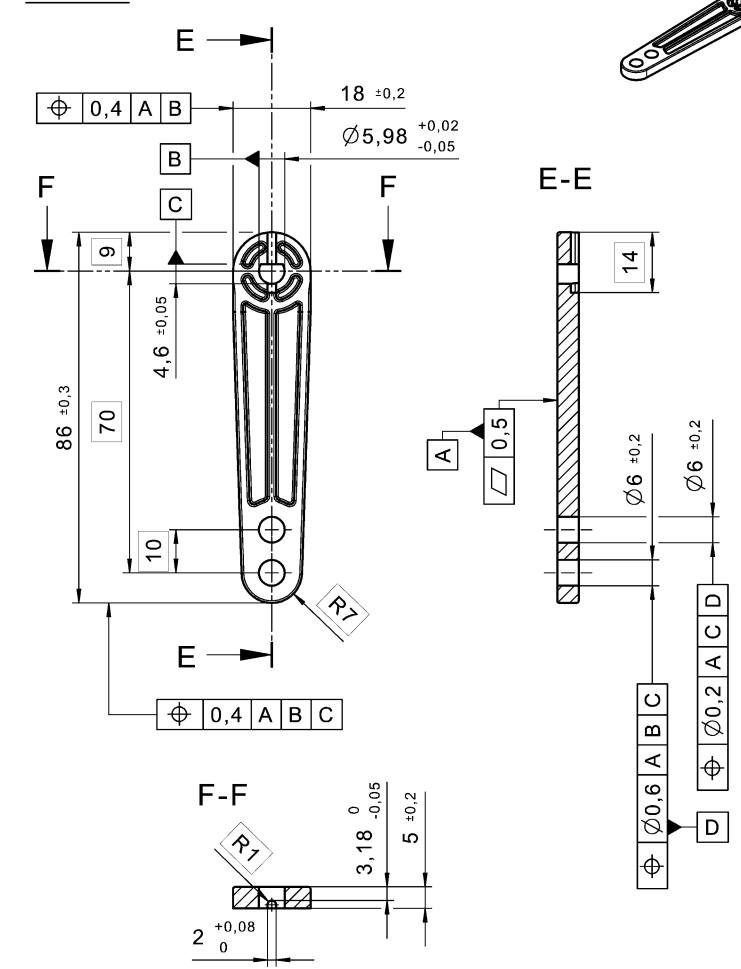
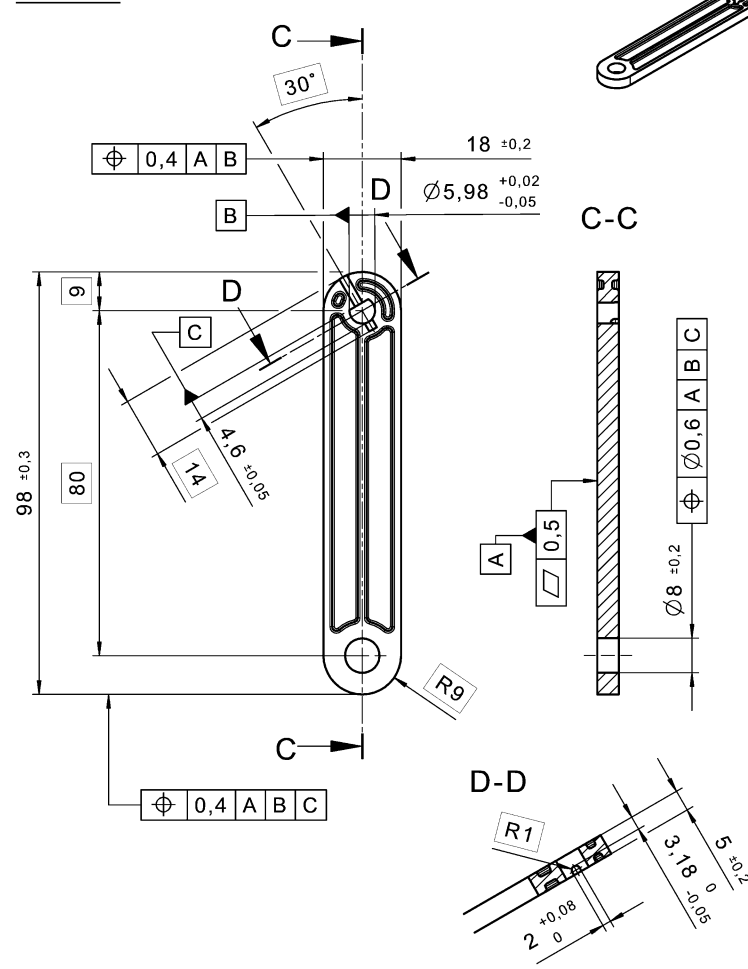
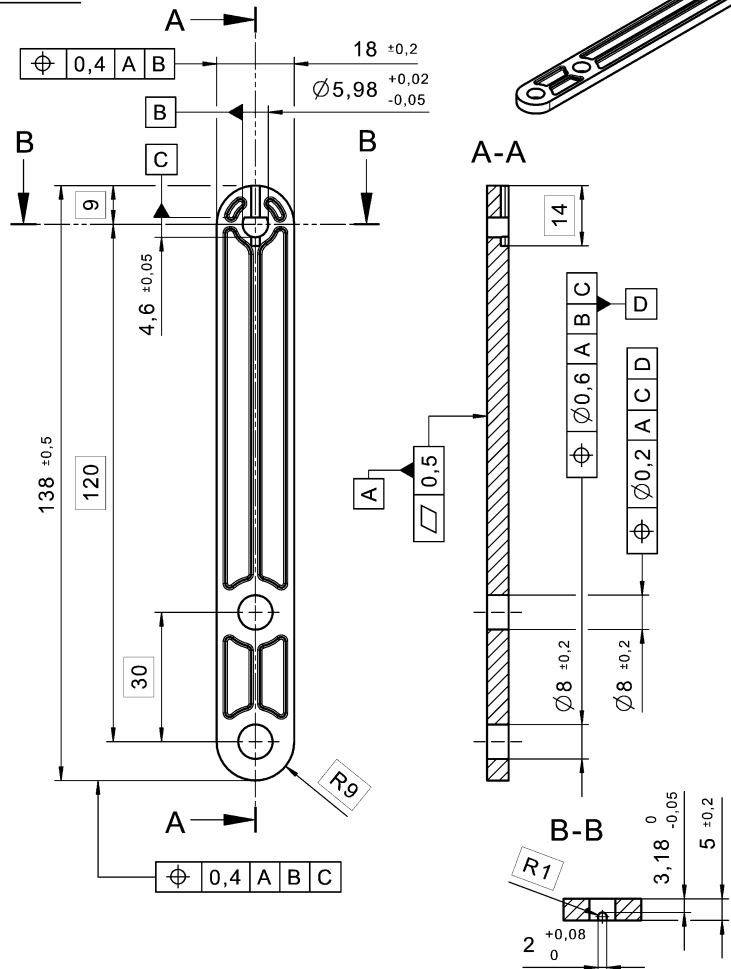
1:2

35053102

1:2

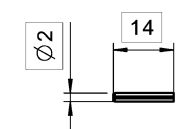
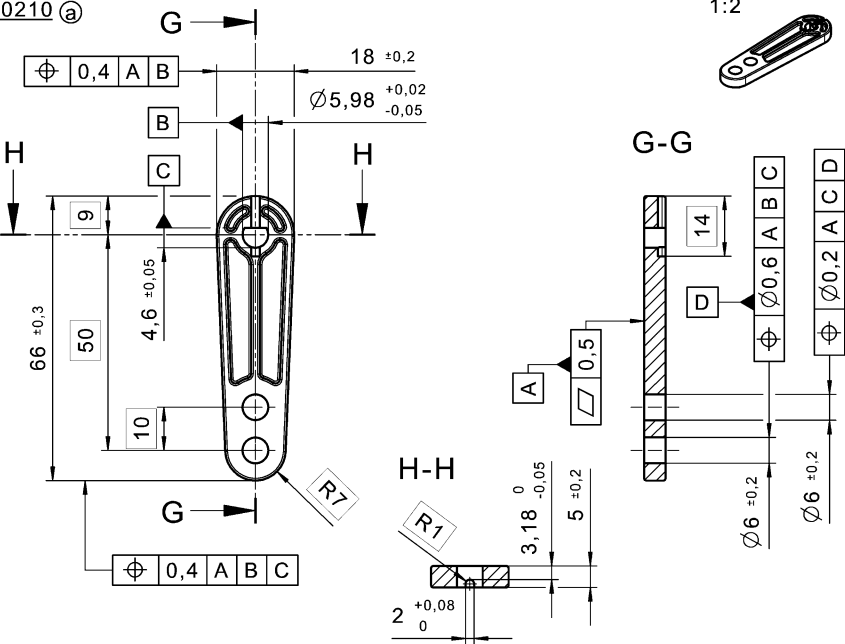
35053103

1:2



350210 @

1:2



Spannstift ist im Lieferumfang enthalten
dowel pin is included in the scope of delivery

STD. / ANGLE TOLERANCE		MATERIAL		WEIGHT (0,00 g)		DOC. STATUS Released	
TOLERANCE PRINC. ACC. ISO 8015	SHAPE, LOCAT.	REVISION	a	CHANGE NO.	0000220318	DOC. TYPE	K1
APPLICATION		APPROVED BY	he2mi	DATE OF ISSUE	28.02.24	CREATION DATE	13.02.24
		EDITED BY	ma1vi	TECHN. REF.	he2mi	PAGE	1/1
elobau		TITLE Operating Lever spare part			PART NUMBER Common Drawing		
REPLACEMENT FOR		REPLACED WITH			DOCUMENT NUMBER / TC-ID 350531..		